



WALLBOARD CRANES

4 STORY, 6 STORY AND 9 STORY

4 STORY (2530L-RCS)

The HMF 2530L-RCS is a long boom crane developed for demanding professionals that require to radio remote control the crane. The crane has a compact design as well as fast and easy daily maintenance.

HMF's high quality surface treatment EQC (Environmentally friendly Quality Coating) ensures a particularly sturdy and durable surface, which allows the crane to retain a high re-sale value.

STANDARD FEATURES

- Up to 15.3 M / 50.2 ft. of horizontal reach
- Electronic speed adaptation system
- Progressive crane control
- Priority flow control
- Single power plus link arm system
- Proportional control valve PVG 32
- Internal hose routing
- Scanreco radio remote control box
- Electrical options
- Spotlight
- 2 extra valves
- Extra valves in hose guides
- Oil cooler, medium
- Radio remote control of stabilizer beams and stabilizer legs on crane
- Shielding of load-holding valve and jib cylinder

ROTATION SYSTEM

- 450 degree turntable bearing powered by hydraulic motor
- Heavy-duty gearbox equipped with a heat-treated Pinion

OVERLOAD SYSTEM

- Electronic rated capacity limitation (RCL) 5400 blocks load-increasing functions when full capacity is attained

OPTIONS

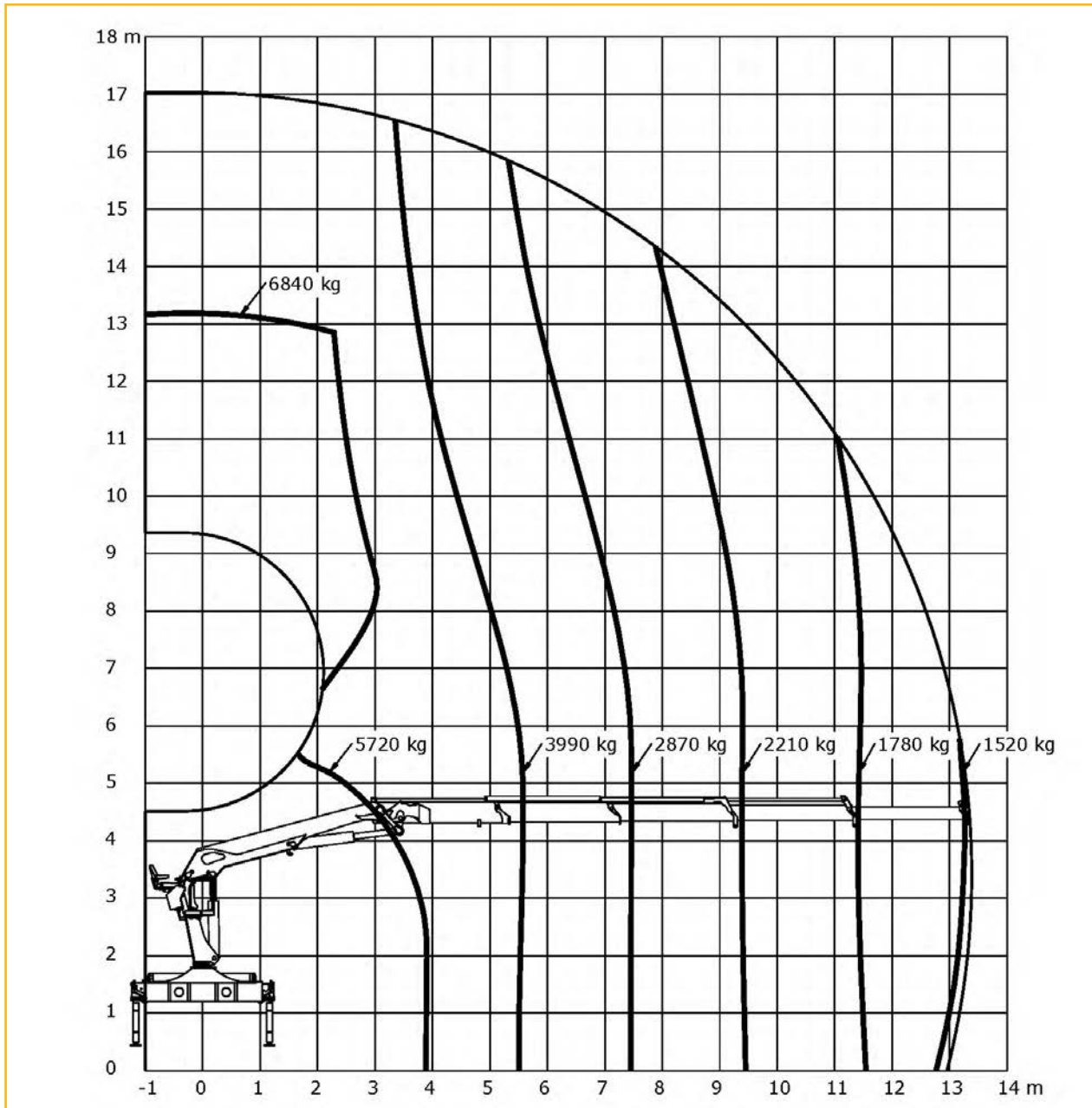
- Electronic Vehicle Stability (EVS) System



CRANE RATING	HORIZONTAL REACH	VERTICAL REACH	MAX. LIFT CAPACITY	HYDRAULIC EXTENSION	OPERATING WEIGHT	MOUNTING SPACE	ROTATIONAL TORQUE	ROTATION
21.8 TM (170,700 ft lbs)	15.3 m (50.2 ft)	19.1 m (62.7 ft)	5650 kg lb (12450 lbs)	9.6 m (31.5 ft)	2835 kg (6237 lbs)	815 mm (32.1")	27.1 kNm	450°

4 STORY (2530L-RCS)

▶ CAPACITY CHART



6 STORY (41064)

The HMF-41064 is a long boom crane boosting high working speeds. The crane has a compact design as well as fast and easy daily maintenance.

HMF's high quality surface treatment EQC (Environmentally friendly Quality Coating) ensures a particularly sturdy and durable surface, which allows the crane to retain a high re-sale value.

STANDARD FEATURES

- Up to 62' 3" (19 m) of horizontal reach
- Electronic speed adaptation system
- Progressive crane control
- Priority flow control
- Single power plus link arm system
- Proportional control valve PVG 32
- Internal hose routing
- Scanreco radio remote control box
- Electrical options
- Spotlight
- 2 extra valves
- Extra valves in hose guides
- 4 manually controlled available stabilizer functions
- Oil cooler
- Shielding of load-holding valve and jib cylinder

ROTATION SYSTEM

- 470 degree rack and pinion
- Counterbalance valve on each cylinder for added safety during operation
- Continuous oil bath to reduce friction and enhance life

OVERLOAD SYSTEM

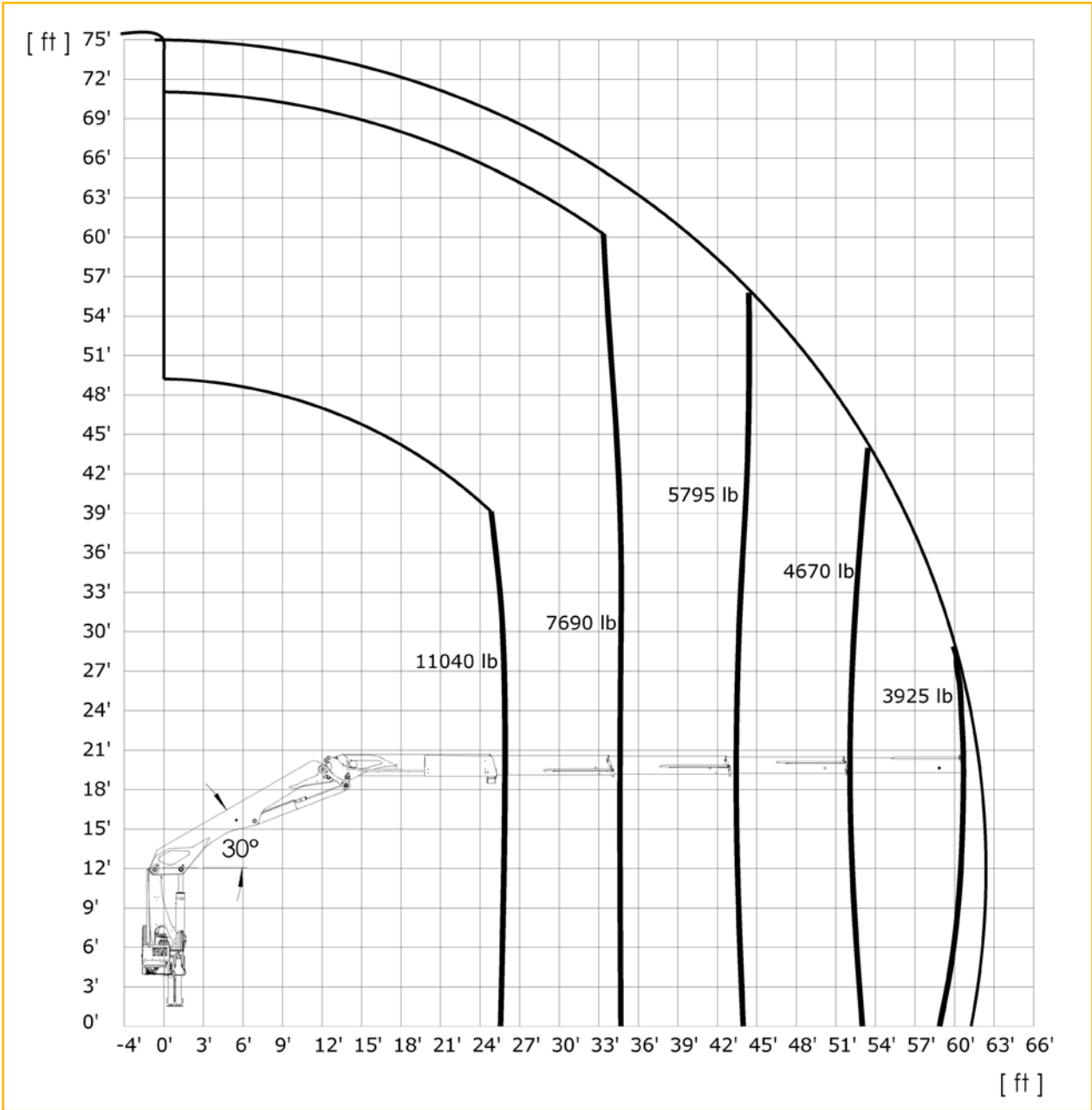
- Electronic rated capacity limitation (RCL) 5400 blocks load-increasing functions when full capacity is attained



CRANE RATING	HORIZONTAL REACH	VERTICAL REACH	MAX. LIFT CAPACITY	HYDRAULIC EXTENSION	OPERATING WEIGHT	MOUNTING SPACE	ROTATIONAL TORQUE	ROTATION
399,986 ft-lb (55.3 tm)	62' 5" (19.02 m)	75' 1" (22.88 m)	11045 lbs (5010 kg)	34' 9" (10.6 m)	11,762 lbs (5256 kg)	38" (0.97 m)	48,678 lb-ft (6.73 tm)	470°

6 STORY (41064)

▶ CAPACITY CHART



9 STORY (42684)

Increase your productivity with the highest lifting hydraulic loader from HMF. The 42684 loader crane can easily lift supplies up to nine stories. Purposeful technology make our loaders lift more, reach farther, and last longer - so you can stick to your schedule.

STANDARD FEATURES

- Up to 82' 10" (25.25 m) of horizontal reach
- Electronic speed adaptation system
- Progressive crane control
- Priority flow control
- Single power plus link arm system
- Proportional control valve PVG 32
- Internal hose routing
- Scanreco radio remote control box
- Electrical options
- Spotlight
- 2 extra valves
- Extra valves in hose guides
- 4 manually controlled available stabilizer functions
- Oil cooler
- Shielding of load-holding valve and jib cylinder

ROTATION SYSTEM

- 420 degree turntable bearing powered by dual hydraulic motors
- Heavy-duty gearbox equipped with a heat treated pinion

OVERLOAD SYSTEM OPTIONS

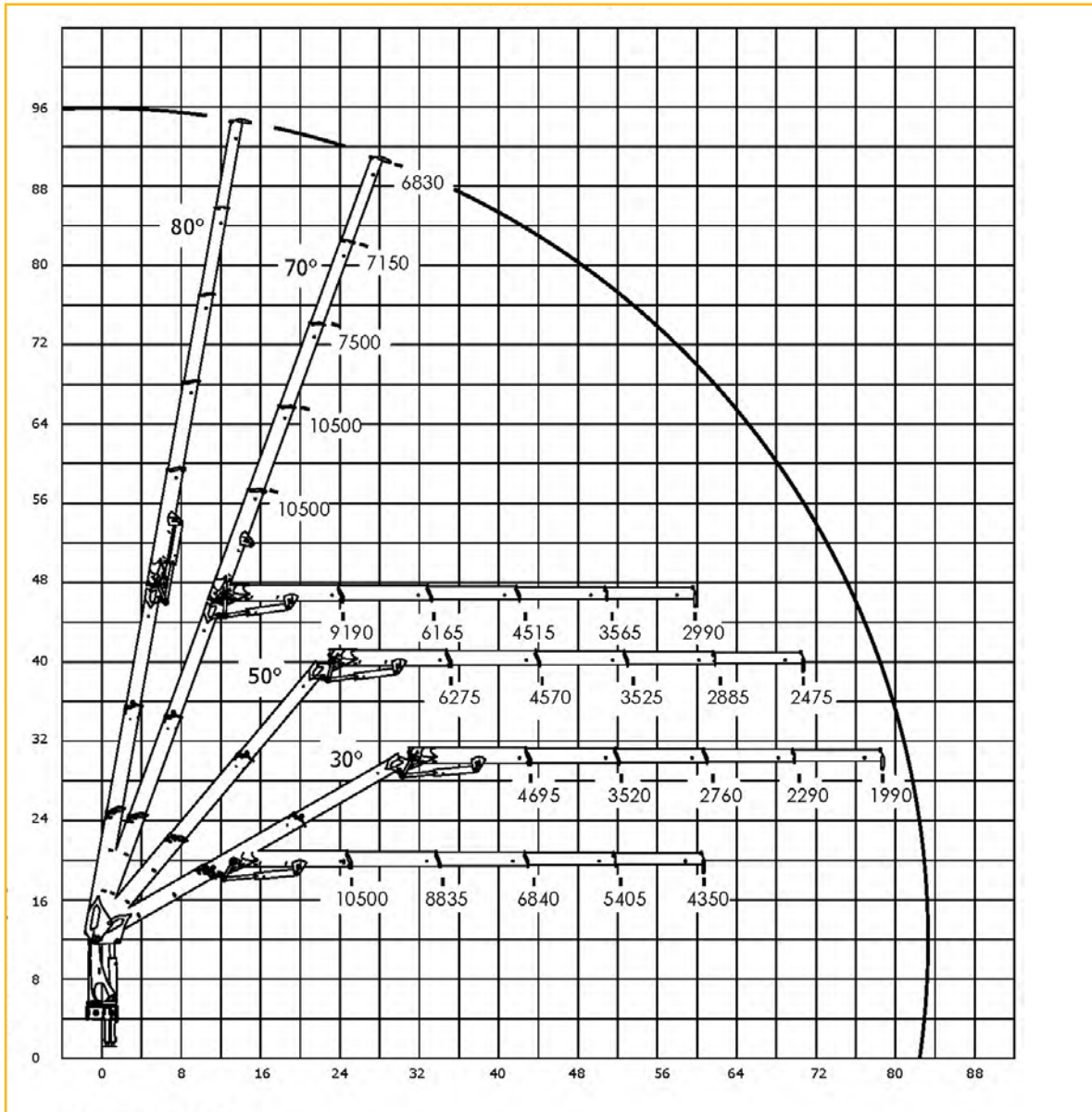
- Electronic vehicle stability EVS
- Continuous monitoring of the vehicle stability
- Optimized lifting capacity in the entire working area - also in front of the vehicle



CRANE RATING	HORIZONTAL REACH	VERTICAL REACH	MAX. LIFT CAPACITY	HYDRAULIC EXTENSION	OPERATING WEIGHT	MOUNTING SPACE	ROTATIONAL TORQUE	ROTATION
305,580 ft-lb (42.25 tm)	82' 10" (25.25m)	93' 6" (28.51 m)	10,500 lb (4763 kg)	20' 3" (61.68 m) 34' 6" (10.51 m)	13,201 lb (5988 kg)	41" (1.1 mm)	48,678 ft-lb (6.73 tm)	420°

9 STORY (42684)

► CAPACITY CHART





YOUR LOCAL TRUCK UPFIT SHOPS:

- | | | | |
|-------------------|------------------|--------------|------------------|
| / Toronto (H.O.) | TEL 905.564.5800 | / Moncton | TEL 506.388.3465 |
| / Etobicoke | TEL 416.679.1573 | / ST. John's | TEL 709.753.0984 |
| / Oro-Medonte | TEL 705.327.1567 | / Morden | TEL 204.201.1197 |
| / Niagara | TEL 905.641.5464 | / Winnipeg | TEL 204.201.1036 |
| / Tillsonburg | TEL 519.842.7200 | / Regina | TEL 306.359.3677 |
| / Windsor | TEL 519.727.4398 | / Edmonton | TEL 780.960.6826 |
| / Ottawa | TEL 613.691.4196 | / Calgary | TEL 403.720.8033 |
| / Montréal | TEL 514.856.0407 | / Vancouver | TEL 604.888.4464 |
| / Laval | TEL 514.519.0367 | / Elkhorn | TEL 262.723.7914 |
| / Halifax | TEL 902.468.8288 | / Winters | TEL 325-242-5818 |
| / Halifax Utility | TEL 902.468.3788 | | |

ISO Certified by an Accredited Registrar • National Safety Mark Approval • ©Drive Products 2023

Drive Products reserves the right to make changes in specifications, packages, or to discontinue options without notice at any time.