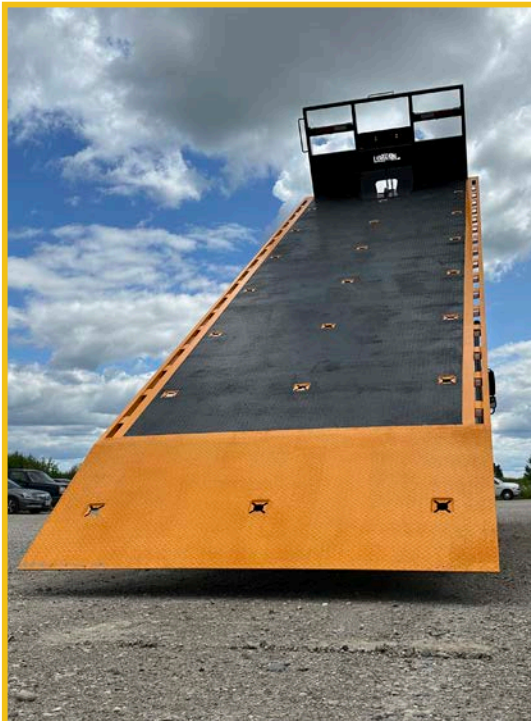


# DENTAL SYSTEM

DRIVEPRODUCTS MANUFACTURING

KARGO KING

## cEIGHT Rental Systems



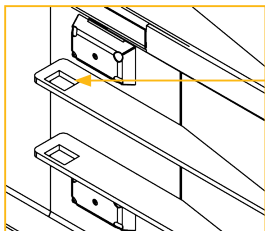
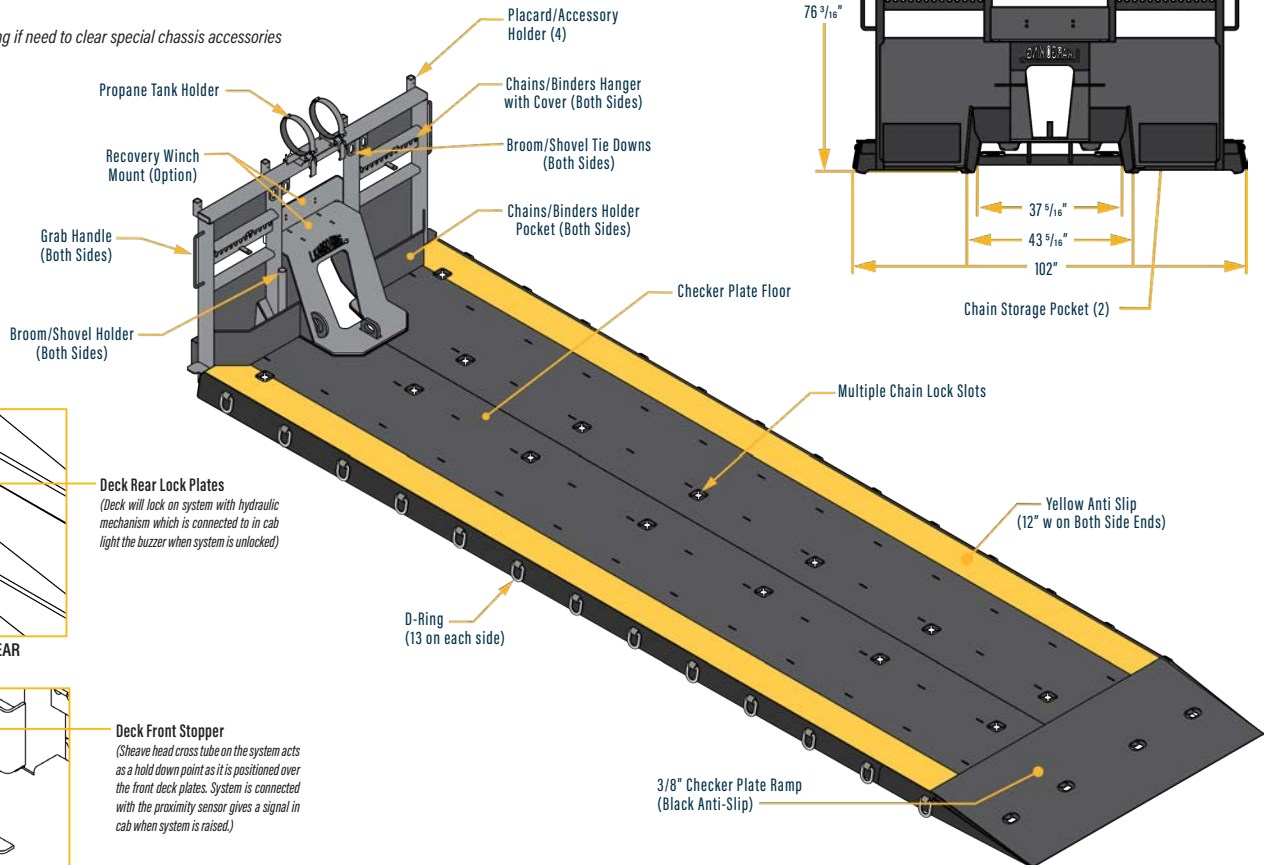
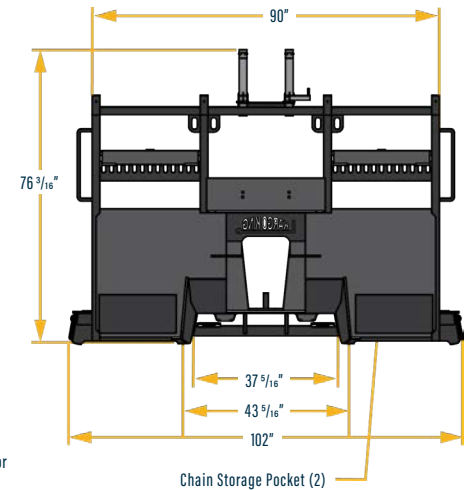
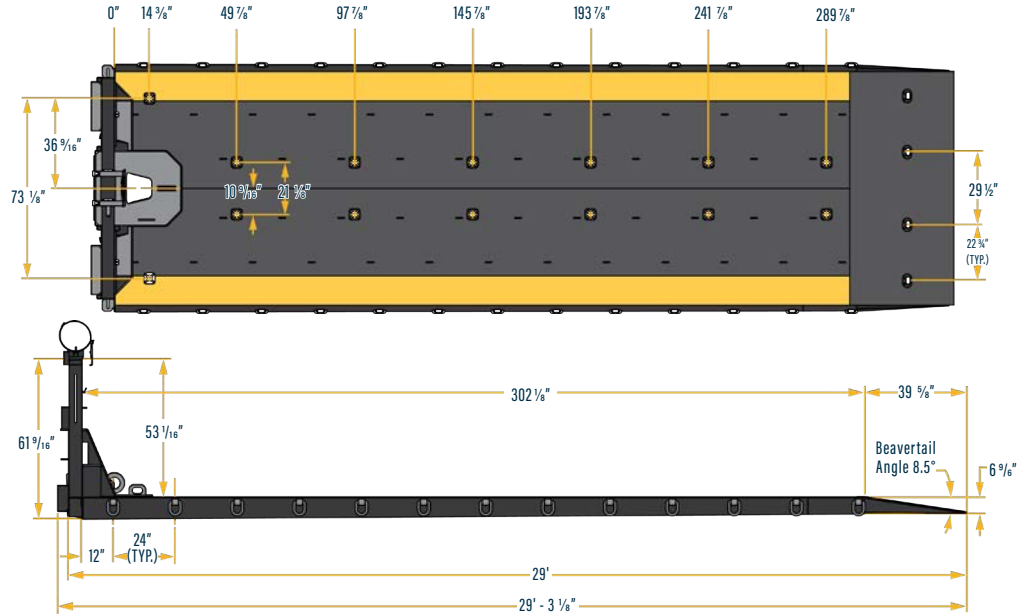
# cEIGHT HX RENTAL SYSTEM

## HX RENTAL DECK

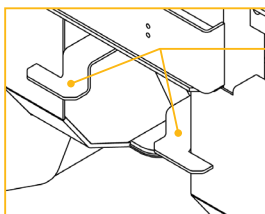
KKC8-29FT-DECK-V01XX

OVERALL LENGTH	29'
USABLE LENGTH	25'
BEAVERTAIL LENGTH	39"
BEAVERTAIL ANGLE	8.5°
RUB RAIL	N/A
TIE DOWNS	48" Dual Chain Slots, 10.5" from centers & Heavy Duty D-Rings along side of deck 4 Chain Slots in Beavertail D-Rings along PS and DS
PAYLOAD CAPACITY	32,000 lbs.
RECOVERY WINCH	N/A
DECK HEIGHT FROM CHASSIS FRAME*	10.5"
CHASSIS FRAME TO UNDER DECK FRAME*	10"
FLOOR MATERIAL	3/4" Checker plate on top of 3/16" Hardox 500Tuff
FLOOR COATING	Gator Guard on beavertail and runway strips on deck
HEADBOARD HEIGHT	Fixed 53 1/16"
CABLE ATTACHMENT STYLE	Loop
DECK WEIGHT	6,200 lbs
TYPICAL CHASSIS SPEC	Tandem, No Lift Axle

\*Doesn't include added spacing if need to clear special chassis accessories  
\*\*Add on Accessory



**BOTTOM OF DECK AT REAR**  
(Before Ramp Starts)



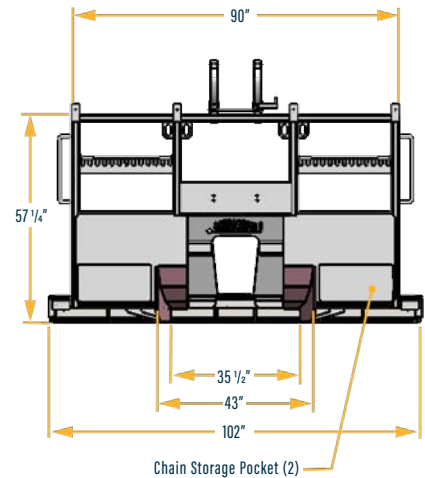
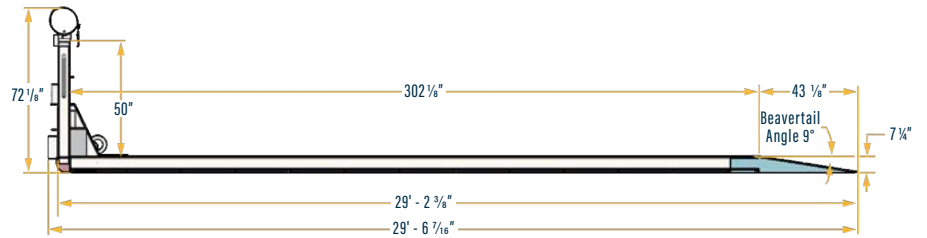
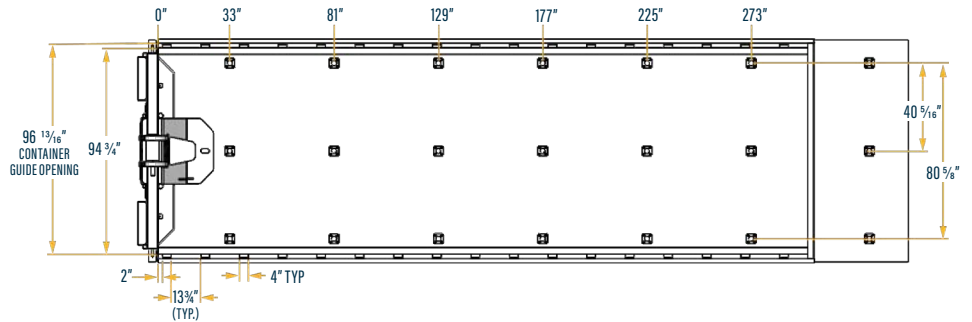
**FRONT OF DECK HEADBOARD**

# cEIGHT MS RENTAL SYSTEM

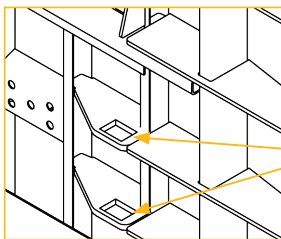
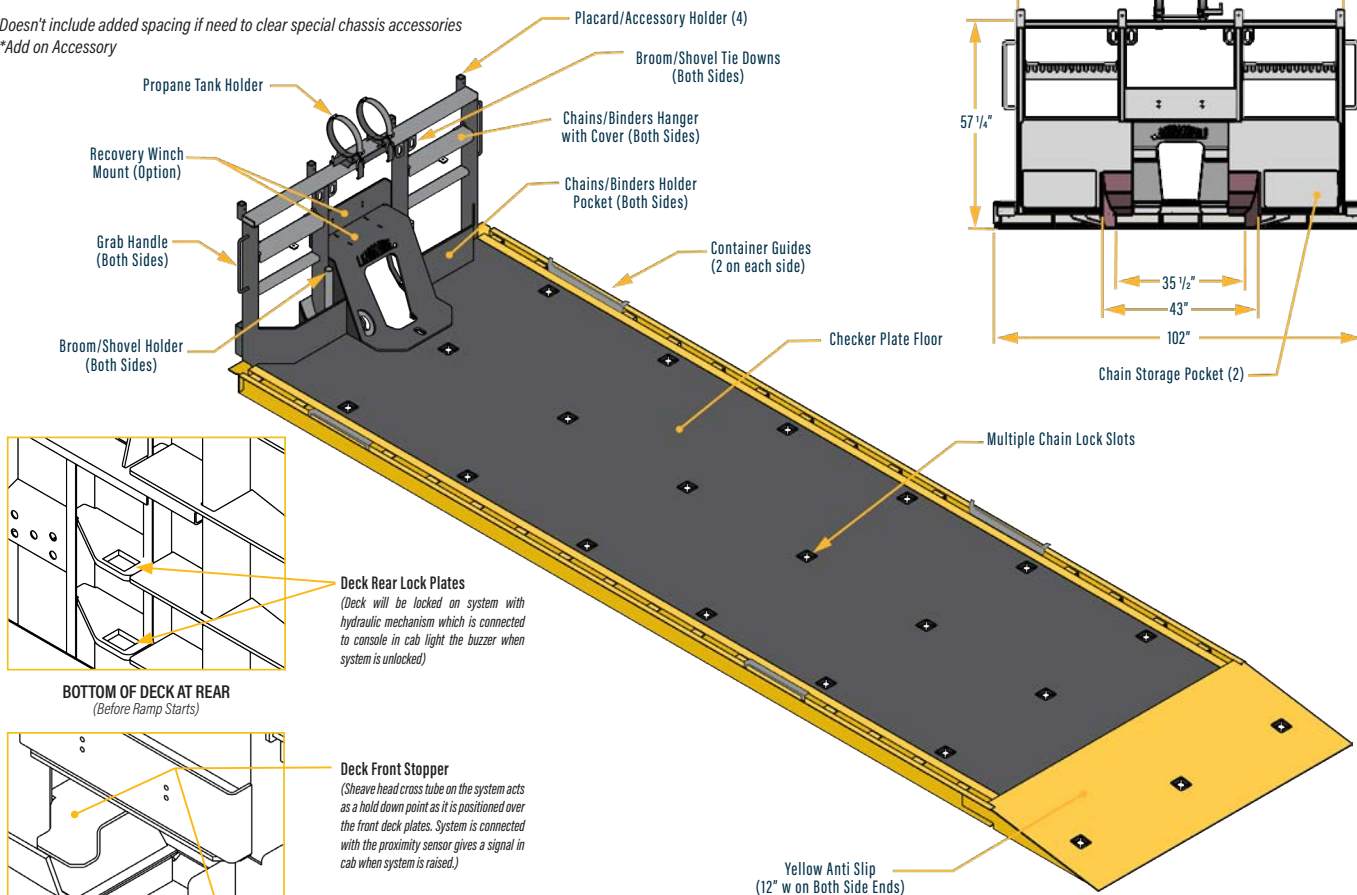
## MS RENTAL DECK

KKC8-29FT-DECK-V03C1

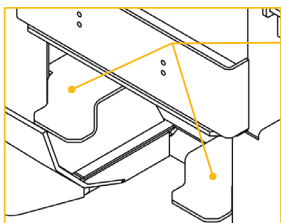
<b>OVERALL LENGTH</b>	29' 7"
<b>USABLE LENGTH</b>	28' 9"
<b>BEAVERTAIL LENGTH</b>	43"
<b>BEAVERTAIL ANGLE</b>	9°
<b>RUB RAIL</b>	6" C — channel
<b>TIE DOWNS</b>	Chain Slots 48" Centers, Sides, Center & Ramp, 3 Chain Slots in Beavertail
<b>PAYLOAD CAPACITY</b>	32,000 lbs.
<b>RECOVERY WINCH</b>	Mounting Plate for Warn G2 (104520) Winch
<b>DECK HEIGHT FROM CHASSIS FRAME*</b>	13.5"
<b>CHASSIS FRAME TO UNDER DECK FRAME*</b>	10.2"
<b>FLOOR MATERIAL</b>	1/4" Checker Plate
<b>FLOOR COATING</b>	Gator Guard
<b>HEADBOARD HEIGHT</b>	50"
<b>CABLE ATTACHMENT STYLE</b>	Hook
<b>DECK WEIGHT</b>	5,600 lbs
<b>TYPICAL CHASSIS SPEC</b>	Tandem with Lift Axle



\*Doesn't include added spacing if need to clear special chassis accessories  
\*\*Add on Accessory



**BOTTOM OF DECK AT REAR**  
(Before Ramp Starts)



**FRONT OF DECK HEADBOARD**

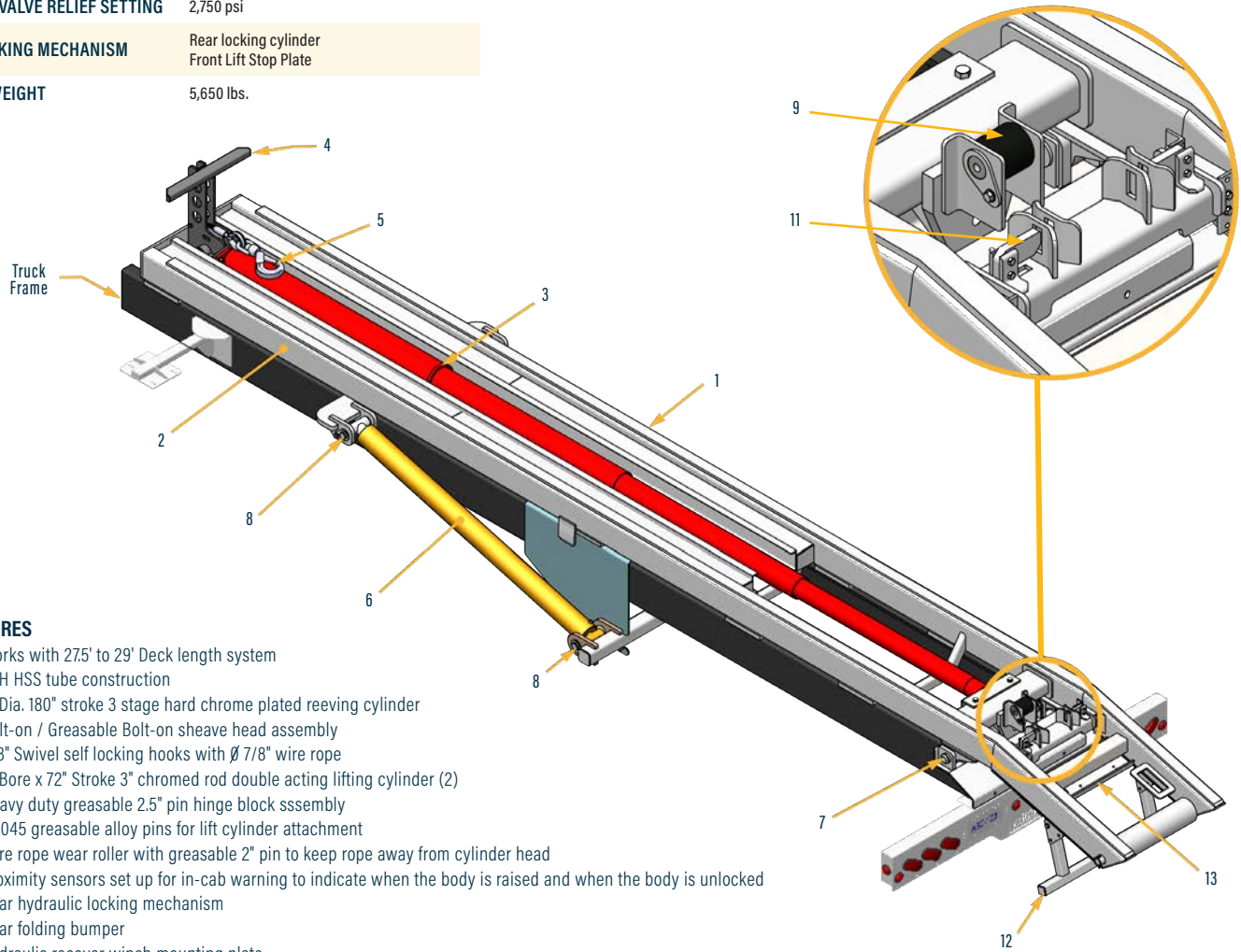
# cEIGHT CABLE ROLL OFF RENTAL SYSTEM

## cEIGHT SYSTEM INFORMATION

OVERALL LENGTH	24' 6"
LIFT CAPACITY	37,500 lbs
LIFT CYLINDERS	Dual Cylinder Single, 72" Stroke
REEVING CYLINDER	Single Cylinder 3 Stage, 180" Stroke
RECOVERY WINCH**	Tulsa Winch (12RPWBAQ411H) 12,000 lbs. Pull Capacity
CABLE END	Latch or Hook
HEIGHT FROM CHASSIS FRAME	10"
CONTROL VALVE RELIEF SETTING	2,750 psi
BODY LOCKING MECHANISM	Rear locking cylinder Front Lift Stop Plate
SYSTEM WEIGHT	5,650 lbs.

## RECOMMENDED CHASSIS SPECS

TANDEM		TANDEM WITH LIFT AXLE (SPIF #23)	
GVWR	66,000 lbs.	GVWR	86,000 lbs.
GVWR-F	20,000 lbs.	GVWR-F	20,000 lbs.
GVWR-R	46,000 lbs.	GVWR-R WITH LIFT AXLE	66,000 lbs. Max.
CA	228" – 240"	LIFT AXLE (SPIF #21)	13,000 lbs.
MIN FRAME LENGTH	295"	LIFT AXLE (SPIF #23)	20,000 lbs.
		CA	228" – 240"
		MIN FRAME LENGTH	295"



### FEATURES

1. Works with 27.5' to 29' Deck length system
2. 8" H HSS tube construction
3. 8" Dia. 180" stroke 3 stage hard chrome plated reeving cylinder
4. Bolt-on / Greasable Bolt-on sheave head assembly
5. 5/8" Swivel self locking hooks with  $\varnothing$  7/8" wire rope
6. 5" Bore x 72" Stroke 3" chromed rod double acting lifting cylinder (2)
7. Heavy duty greasable 2.5" pin hinge block assembly
8. c-1045 greasable alloy pins for lift cylinder attachment
9. Wire rope wear roller with greasable 2" pin to keep rope away from cylinder head
10. Proximity sensors set up for in-cab warning to indicate when the body is raised and when the body is unlocked
11. Rear hydraulic locking mechanism
12. Rear folding bumper
13. Hydraulic recover winch mounting plate

**KARGO KING**  
ROLL-OFF SYSTEMS

MANUFACTURED IN  
COURTLAND ONTARIO

WWW.KARGOKING.COM

BROUGHT TO YOU BY:

**DRIVE** PRODUCTS  
MANUFACTURING

VOITH KARGO KING BIG MAX ORO TRADESMAN