

# DENTAL SYSTEM

DRIVEPRODUCTS MANUFACTURING

KARGO KING

# cEIGHT Rental Systems



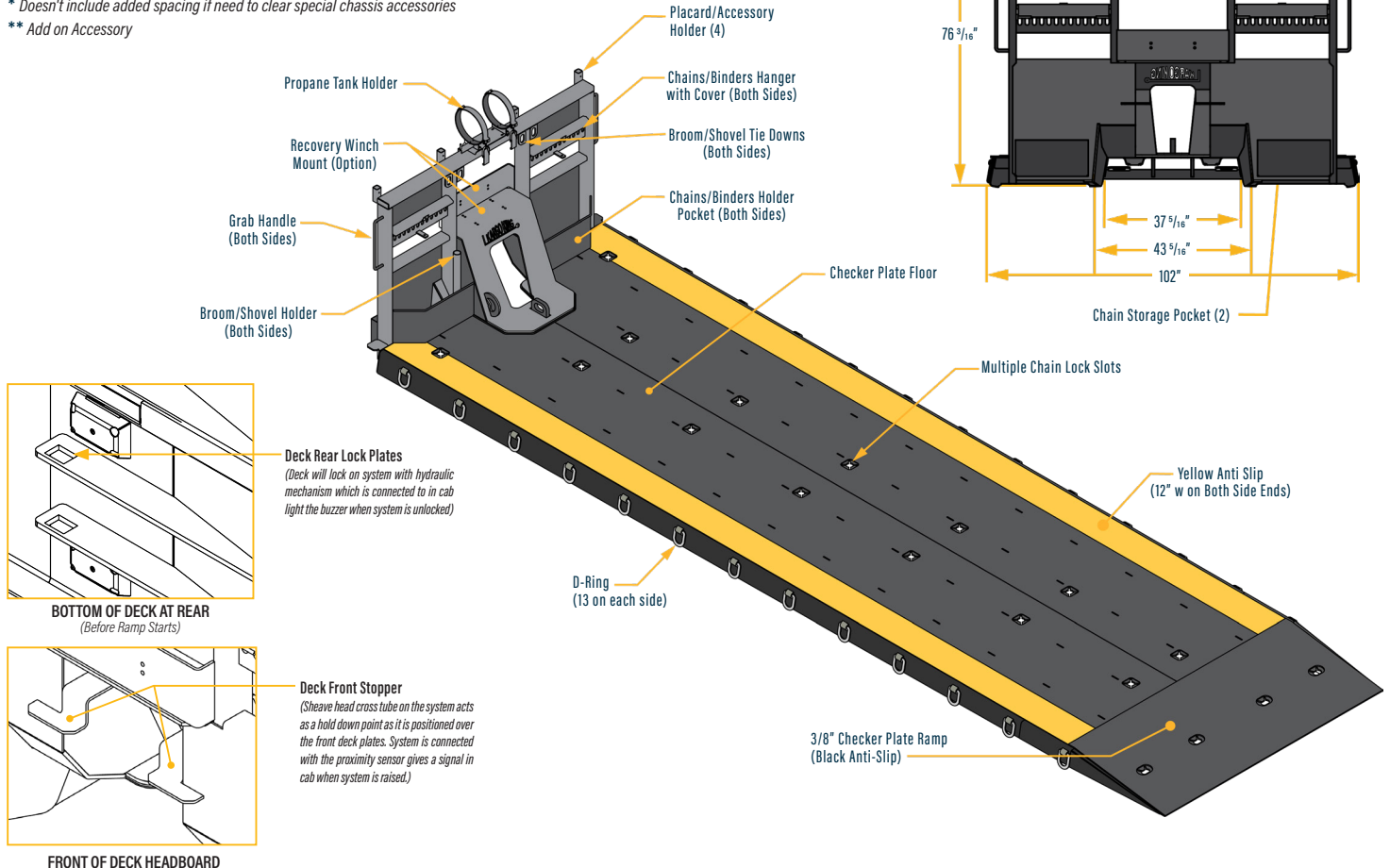
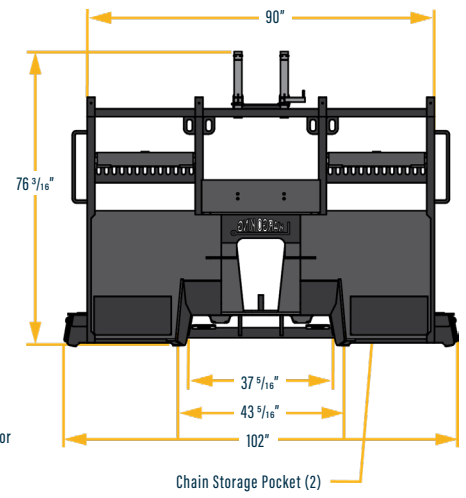
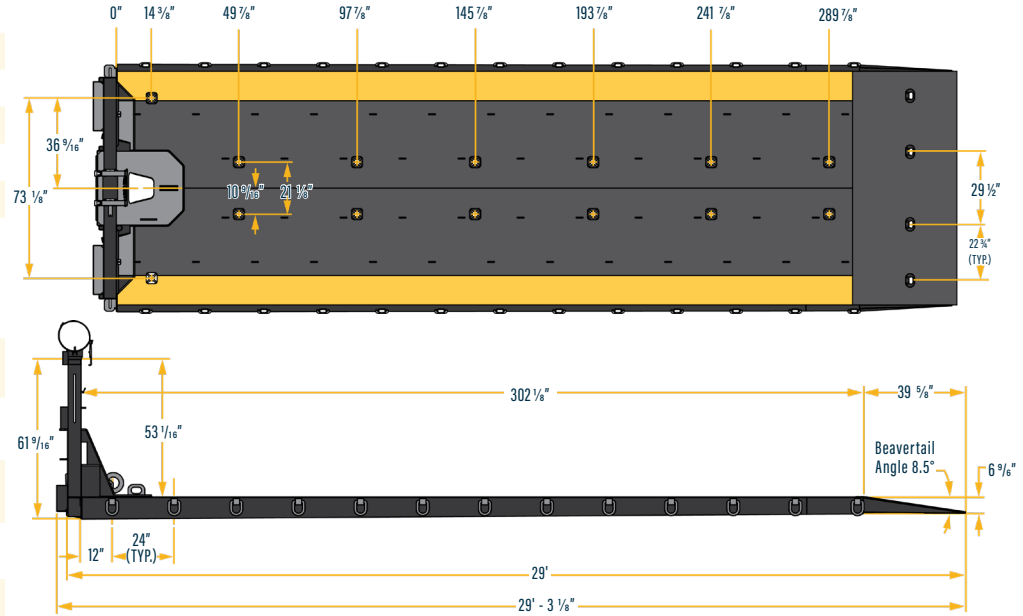
# cEIGHT HX RENTAL SYSTEM

## HX RENTAL DECK

KKC8-29FT-DECK-V01XX

<b>OVERALL LENGTH</b>	29'
<b>USABLE LENGTH</b>	25'
<b>BEAVERTAIL LENGTH</b>	39"
<b>BEAVERTAIL ANGLE</b>	8.5°
<b>RUB RAIL</b>	N/A
<b>TIE DOWNS</b>	48" Dual Chain Slots, 10.5" from Centers & Heavy Duty D-Rings along Side of Deck 4 Chain Slots in Beavertail D-Rings along Ps and Ds
<b>RECOVERY WINCH (OPTIONAL)</b>	Mounting Plate for Warn G2 (104520) Winch
<b>DECK HEIGHT FROM CHASSIS FRAME*</b>	10.5"
<b>CHASSIS FRAME TO UNDER DECK FRAME*</b>	10"
<b>FLOOR MATERIAL</b>	3/16" Checker Plate on top of 3/16" Hardox 500 Tuff
<b>FLOOR COATING</b>	Gator Guard on Beavertail and Runway Strips on Deck
<b>HEADBOARD HEIGHT</b>	Fixed 53 1/16"
<b>CABLE ATTACHMENT STYLE</b>	Hook
<b>DECK WEIGHT</b>	6,500 lbs / 2,950 kg
<b>TYPICAL CHASSIS SPEC</b>	Tandem, with Lift Axle

\* Doesn't include added spacing if need to clear special chassis accessories  
\*\* Add on Accessory





# cEIGHT MS RENTAL SYSTEM

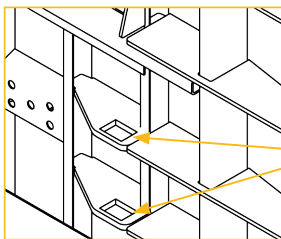
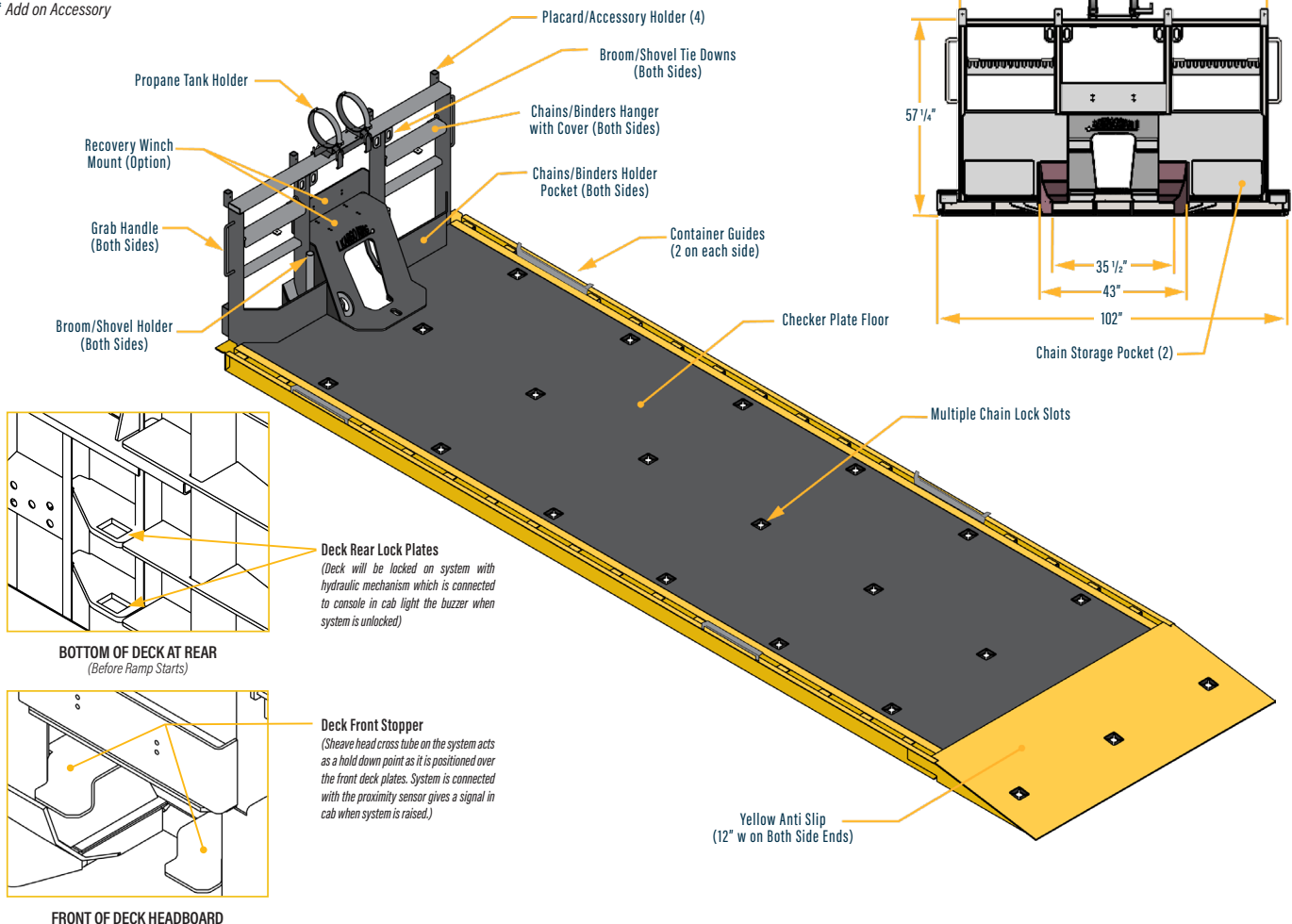
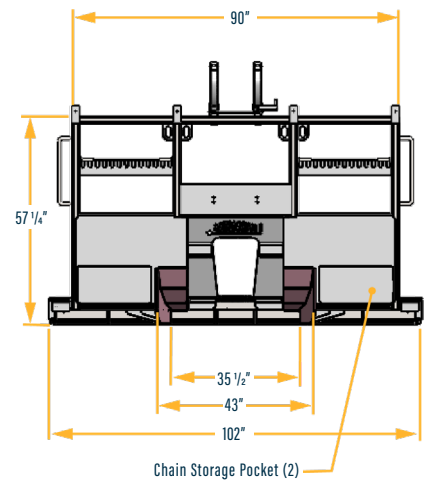
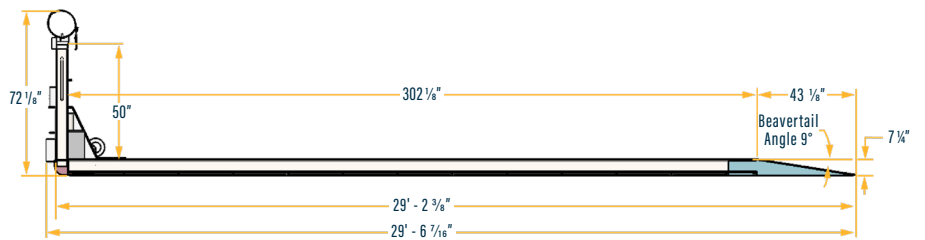
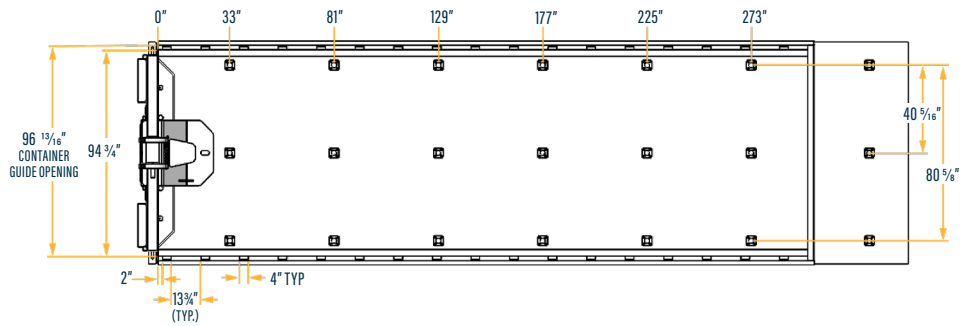
## MS RENTAL DECK

KKC8-29FT-DECK-V03C1

<b>OVERALL LENGTH</b>	29' 7"
<b>USABLE LENGTH</b>	25'
<b>BEAVERTAIL LENGTH</b>	43"
<b>BEAVERTAIL ANGLE</b>	9°
<b>RUB RAIL</b>	6" C — channel
<b>TIE DOWNS</b>	Chain Slots 48" Centers, Sides, Center & Ramp, 3 Chain Slots in Beavertail
<b>RECOVERY WINCH (OPTIONAL)</b>	Mounting Plate for Warn G2 (104520) Winch
<b>DECK HEIGHT FROM CHASSIS FRAME*</b>	13.5"
<b>CHASSIS FRAME TO UNDER DECK FRAME*</b>	10.2"
<b>FLOOR MATERIAL</b>	3/8" Checker Plate
<b>FLOOR COATING</b>	Gator Guard
<b>HEADBOARD HEIGHT</b>	50"
<b>CABLE ATTACHMENT STYLE</b>	Hook
<b>DECK WEIGHT</b>	6,300 lbs / 2,860 kg
<b>TYPICAL CHASSIS SPEC</b>	Tandem with Lift Axle

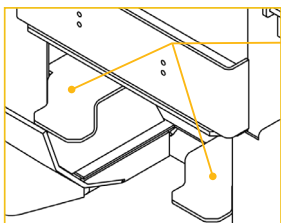
\* Doesn't include added spacing if need to clear special chassis accessories

\*\* Add on Accessory



**BOTTOM OF DECK AT REAR**  
(Before Ramp Starts)

**Deck Rear Lock Plates**  
(Deck will be locked on system with hydraulic mechanism which is connected to console in cab light the buzzer when system is unlocked)



**FRONT OF DECK HEADBOARD**

**Deck Front Stopper**  
(Sheave head cross tube on the system acts as a hold down point as it is positioned over the front deck plates. System is connected with the proximity sensor gives a signal in cab when system is raised.)

# cEIGHT CABLE ROLL OFF RENTAL SYSTEM

## cEIGHT SYSTEM INFORMATION

OVERALL LENGTH	28' 6"
WIDTH	35"
SYSTEM RAILS HEIGHT	10"
SYSTEM WEIGHT	5,600 lbs / 2,540 kg
LIFT CAPACITY (PAYLOAD + DECK WEIGHT)	43,000 lbs / 19,500 kg
LIFT CYLINDERS	Dual Cylinder Single, 72" Stroke
REEVING CYLINDER	Single Cylinder 3 Stage, 180" Stroke
RECOVERY WINCH (OPTIONAL)	Tulsa Winch (12RPWBAQ4I1H) 12,000 lbs / 5,400 kg Pull Capacity
CABLE END	Hook
HEIGHT FROM CHASSIS FRAME	10"
CONTROL VALVE RELIEF SETTING	2,750 psi
BODY LOCKING MECHANISM	Rear Locking Cylinder Front Lift Stop Plate

Maximum Lifting Capacity: 43,000 lbs / 19,500 kg

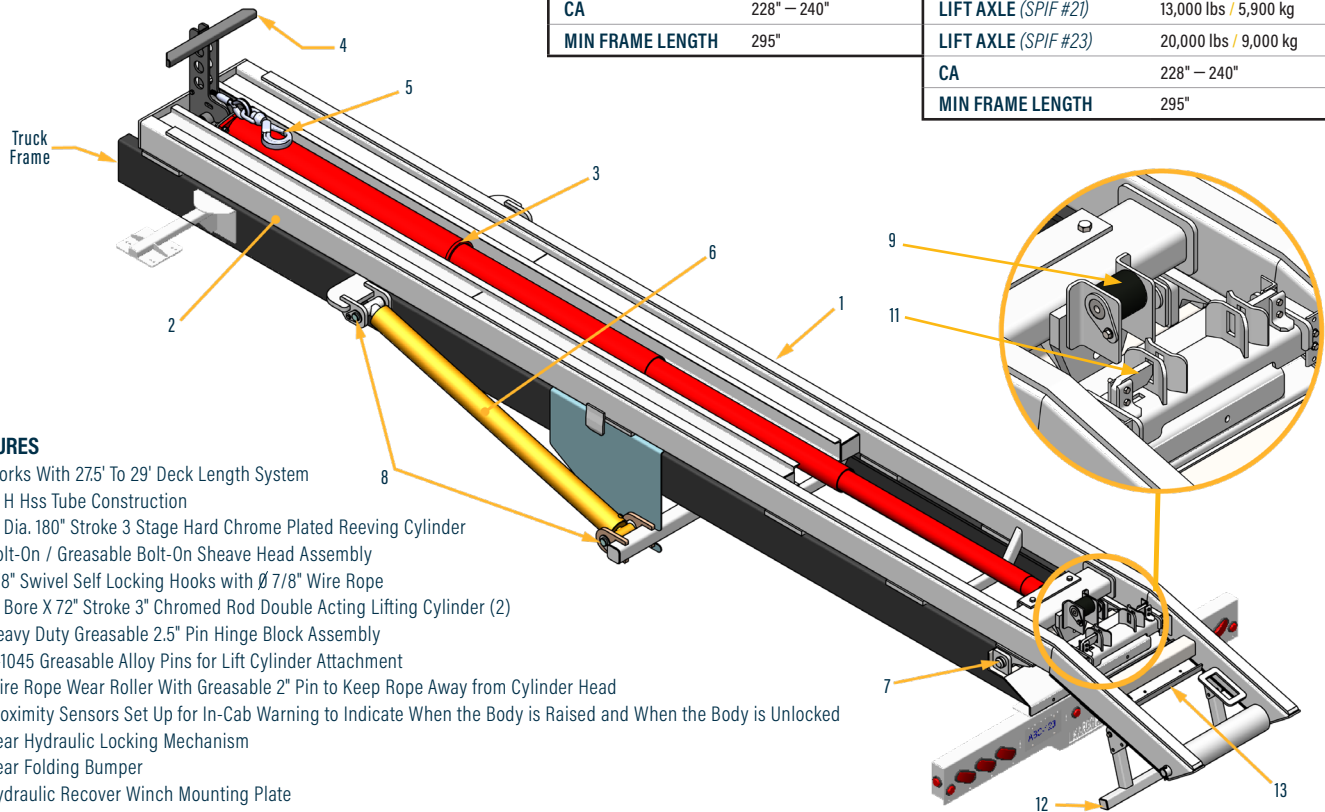
Maximum Payload: 36,500 lbs / 16,500kg — Payload may vary based on truck

## DECK INFORMATION

HX RENTAL DECK		MS RENTAL DECK	
TOTAL LENGTH	29 ft	TOTAL LENGTH	29 ft
USABLE FLAT SURFACE	22' 11"	USABLE FLAT SURFACE	22' 11"
DECK FLOOR HEIGHT WHEN ON GROUND	6.5"	DECK FLOOR HEIGHT WHEN ON GROUND	7.25"
DECK FLOOR HEIGHT FROM BOTTOM OF THE SYSTEM	10.5"	DECK FLOOR HEIGHT FROM BOTTOM OF THE SYSTEM	13.438"
DECK FLOOR HEIGHT FROM GROUND WHEN DECK IS ON CHASSIS (AIR IN)	At Front: 51.5" At Centre: 51.25" At Rear: 50.5"	DECK FLOOR HEIGHT FROM GROUND WHEN DECK IS ON CHASSIS (AIR IN)	At Front: 54" At Centre: 54-3/4" At Rear: 55-3/4"
DECK RAMP	39.63"	DECK RAMP	43.56"
DECK WEIGHT	6,500 lbs / 2,950 kg	DECK WEIGHT	6,300 lbs / 2,860 kg

## RECOMMENDED CHASSIS SPECS

TANDEM		TANDEM WITH LIFT AXLE (SPIF #23)	
GVWR	66,000 lbs / 30,000 kg	GVWR	86,000 lbs / 39,000 kg
GVWR-F	20,000 lbs / 9,000 kg	GVWR-F	20,000 lbs / 9,000 kg
GVWR-R	46,000 lbs / 20,800 kg	GVWR-R WITH LIFT AXLE	66,000 lbs / 30,000 kg Max.
CA	228" — 240"	LIFT AXLE (SPIF #21)	13,000 lbs / 5,900 kg
MIN FRAME LENGTH	295"	LIFT AXLE (SPIF #23)	20,000 lbs / 9,000 kg
		CA	228" — 240"
		MIN FRAME LENGTH	295"



## FEATURES

- Works With 27.5' To 29' Deck Length System
- 8" H Hss Tube Construction
- 8" Dia. 180" Stroke 3 Stage Hard Chrome Plated Reeving Cylinder
- Bolt-On / Greasable Bolt-On Sheave Head Assembly
- 5/8" Swivel Self Locking Hooks with  $\varnothing$  7/8" Wire Rope
- 5" Bore X 72" Stroke 3" Chromed Rod Double Acting Lifting Cylinder (2)
- Heavy Duty Greasable 2.5" Pin Hinge Block Assembly
- C-1045 Greasable Alloy Pins for Lift Cylinder Attachment
- Wire Rope Wear Roller With Greasable 2" Pin to Keep Rope Away from Cylinder Head
- Proximity Sensors Set Up for In-Cab Warning to Indicate When the Body is Raised and When the Body is Unlocked
- Rear Hydraulic Locking Mechanism
- Rear Folding Bumper
- Hydraulic Recover Winch Mounting Plate

**KARGO KING**  
ROLL-OFF SYSTEMS

MANUFACTURED IN  
COURTLAND ONTARIO

WWW.KARGOKING.COM

BROUGHT TO YOU BY:

**DRIVE PRODUCTS**  
MANUFACTURING  
VOLVO KARGO KING BIG MAX ORO TRADESMAN  
TRUCK RAILS